

BKS SERIES

Fire Rated Security Brass Euro Key and Turn Cylinder



Specification

- Key-knob type cylinder compatible with all standard euro profile mortise locks.
- Length starts at 30/30, available in 5 mm increments up to 80/80, both in offset and equal lengths.
- Passed over 100,000 cycles in durability tests.
- Solid brass pins and stainless steel 304 springs for high precision and extended service life.
- Suitable for both indoor and outdoor applications due to high corrosion resistance even in extreme temperatures between -25 °C and +65 °C.
- Suitable for use on metal and timber fire doors.
- Supplied with 5 nickel-plated brass keys.

CE Classification

160B0C40



Keyway	Mapped
Material	HPB59-1 Brass
Section Size	Ø17x33x10 mm
Cam	R15 x 6.5 Sintered Steel
Pins	6 Movable Solid Brass Detainers
Keys	5 Nickel-plated 2.2 mm Solid Brass Keys
Fixing Screw	Stainless Steel 304 Fixing Screw
Packaging	50 Units per Carton

Security Features

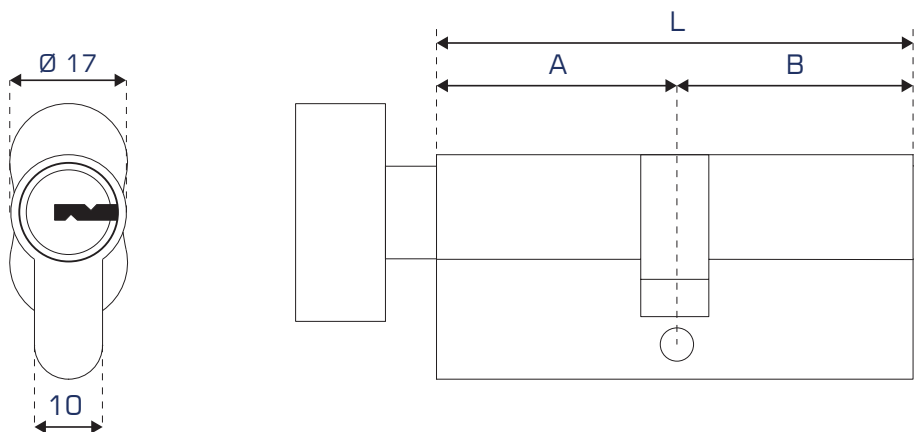
- 6 movable pins (detainers) allowing for higher security with over 100,000 different combinations.
- Sintered steel cam protrudes at 30° angle out of cylinder body when key is pulled out, making it impossible for the cylinder to be drawn out of lock by force.
- Anti-duplication keyway: Prevents the illegal duplication of keys.

Certification

- 10 year warranty: The performance of this product and all its variants are covered by Wilroy's hassle-free warranty.
- CE marked and fully tested to EN 1303:2015.
- CE marked and fully tested to EN 1634-1:2014 for suitability of use on fire doors.
- Fully compliant with DIN 18252.

Digit	Grade	Description
2 nd	6	Passed 100,000 test cycles. This is the highest possible grade according to EN 1303:2015 standards.
4 th	B	Suitable and approved for use on fire/smoke door assemblies. Tested according to EN 1634-1:2014 standards, and achieved fire resistance of 260 minutes on steel fire doors and 111 minutes on timber fire doors.
6 th	C	High corrosion resistance. Temperature requirement between -25 °C and +65 °C.
7 th	4	Minimum of 5 movable elements within the cylinder, resulting in more than 30,000 effective differs for the key with torque resistance of 15 Nm with no coding on key disclosing combination.

Technical Design



Finishes

- AB - Antique Brass
- AC - Antique Copper
- BP - Matted Black
- GM - Gun Metal
- PB - Polished Brass
- PN - Polished Nickel
- PS - Polished Stainless Steel
- RG - Rose Gold
- SB - Satin Brass
- SN - Satin Nickel
- SS - Satin Stainless Steel

VARIANTS

BKS			
Catalog#	A (mm)	B (mm)	Length
BKS3030	30	30	30/30
BKS3035	30	35	30/35
BKS3040	30	40	30/40
BKS3045	30	45	30/45
BKS3050	30	50	30/50
BKS3055	30	55	30/55
BKS3060	30	60	30/60
BKS3065	30	65	30/65
BKS3070	30	70	30/70
BKS3075	30	75	30/75
BKS3080	30	80	30/80
BKS3530	35	30	35/30
BKS3535	35	35	35/35
BKS3540	35	40	35/40
BKS3545	35	45	35/45
BKS3550	35	50	35/50
BKS3555	35	55	35/55
BKS3560	35	60	35/60
BKS3565	35	65	35/65
BKS3570	35	70	35/70
BKS3575	35	75	35/75
BKS3580	35	80	35/80
BKS4030	40	30	40/30
BKS4035	40	35	40/35
BKS4040	40	40	40/40
BKS4045	40	45	40/45
BKS4050	40	50	40/50
BKS4055	40	55	40/55
BKS4060	40	60	40/60
BKS4065	40	65	40/65
BKS4070	40	70	40/70
BKS4075	40	75	40/75
BKS4080	40	80	40/80
BKS4530	45	30	45/30
BKS4535	45	35	45/35
BKS4540	45	40	45/40
BKS4545	45	45	45/45
BKS4550	45	50	45/50
BKS4555	45	55	45/55
BKS4560	45	60	45/60
BKS4565	45	65	45/65
BKS4570	45	70	45/70
BKS4575	45	75	45/75
BKS4580	45	80	45/80
BKS5030	50	30	50/30
BKS5035	50	35	50/35

Catalog#	A (mm)	B (mm)	Length
BKS5040	50	40	50/40
BKS5045	50	45	50/45
BKS5050	50	50	50/50
BKS5055	50	55	50/55
BKS5060	50	60	50/60
BKS5065	50	65	50/65
BKS5070	50	70	50/70
BKS5075	50	75	50/75
BKS5080	50	80	50/80
BKS5530	55	30	55/30
BKS5535	55	35	55/35
BKS5540	55	40	55/40
BKS5545	55	45	55/45
BKS5550	55	50	55/50
BKS5555	55	55	55/55
BKS5560	55	60	55/60
BKS5565	55	65	55/65
BKS5570	55	70	55/70
BKS5575	55	75	55/75
BKS5580	55	80	55/80
BKS6030	60	30	60/30
BKS6035	60	35	60/35
BKS6040	60	40	60/40
BKS6045	60	45	60/45
BKS6050	60	50	60/50
BKS6055	60	55	60/55
BKS6060	60	60	60/60
BKS6065	60	65	60/65
BKS6070	60	70	60/70
BKS6075	60	75	60/75
BKS6080	60	80	60/80
BKS6530	65	30	65/30
BKS6535	65	35	65/35
BKS6540	65	40	65/40
BKS6545	65	45	65/45
BKS6550	65	50	65/50
BKS6555	65	55	65/55
BKS6560	65	60	65/60
BKS6565	65	65	65/65
BKS6570	65	70	65/70
BKS6575	65	75	65/75
BKS6580	65	80	65/80
BKS7030	70	30	70/30
BKS7035	70	35	70/35
BKS7040	70	40	70/40
BKS7045	70	45	70/45
BKS7050	70	50	70/50

Catalog#	A (mm)	B (mm)	Length
BKS7055	70	55	70/55
BKS7060	70	60	70/60
BKS7065	70	65	70/65
BKS7070	70	70	70/70
BKS7075	70	75	70/75
BKS7080	70	80	70/80
BKS7530	75	30	75/30
BKS7535	75	35	75/35
BKS7540	75	40	75/40
BKS7545	75	45	75/45
BKS7550	75	50	75/50
BKS7555	75	55	75/55
BKS7560	75	60	75/60
BKS7565	75	65	75/65
BKS7570	75	70	75/70
BKS7575	75	75	75/75
BKS7580	75	80	75/80
BKS8030	80	30	80/30
BKS8035	80	35	80/35
BKS8040	80	40	80/40
BKS8045	80	45	80/45
BKS8050	80	50	80/50
BKS8055	80	55	80/55
BKS8060	80	60	80/60
BKS8065	80	65	80/65
BKS8070	80	70	80/70
BKS8075	80	75	80/75
BKS8080	80	80	80/80